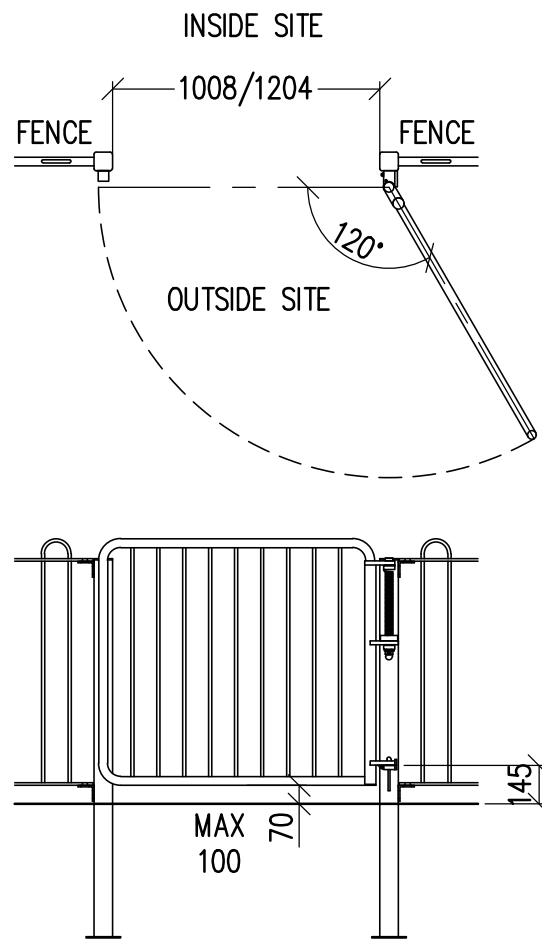
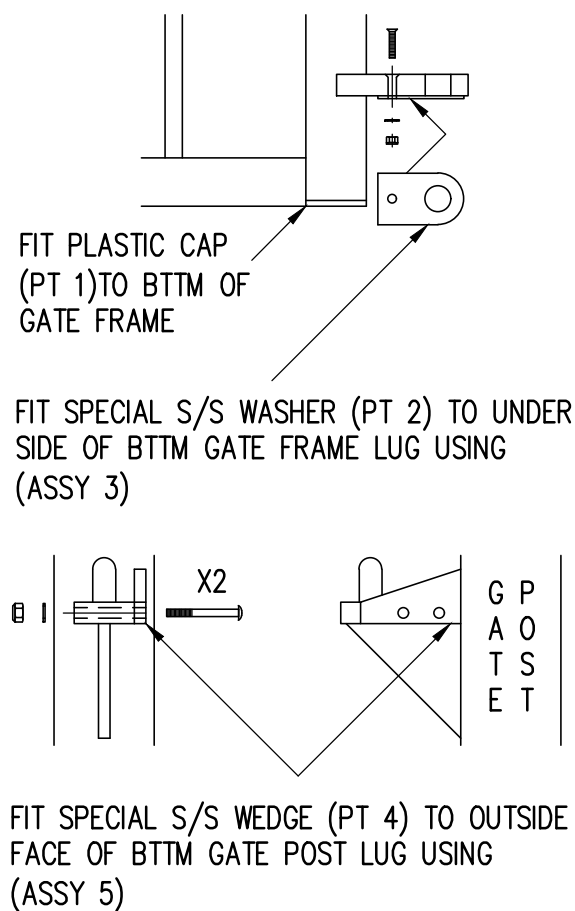


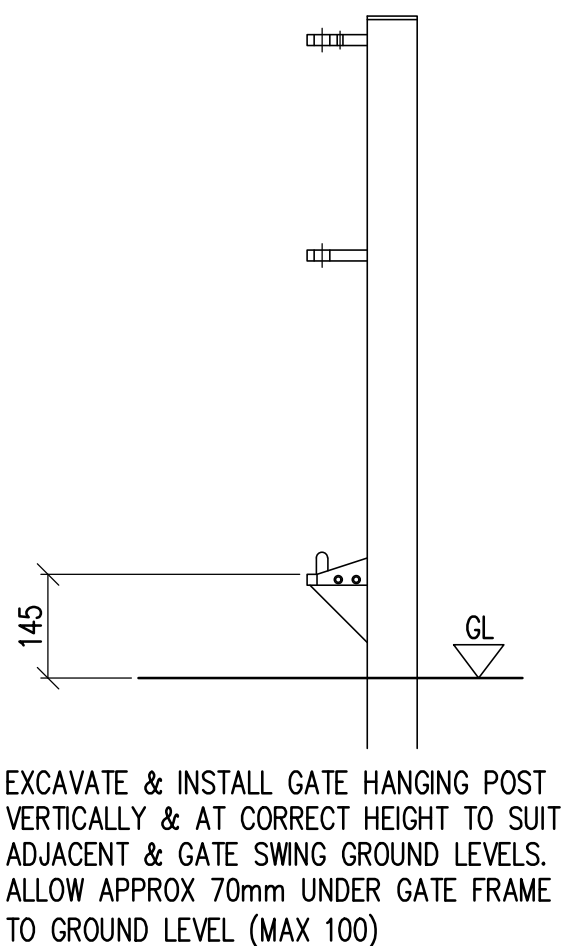
FITTED GATE



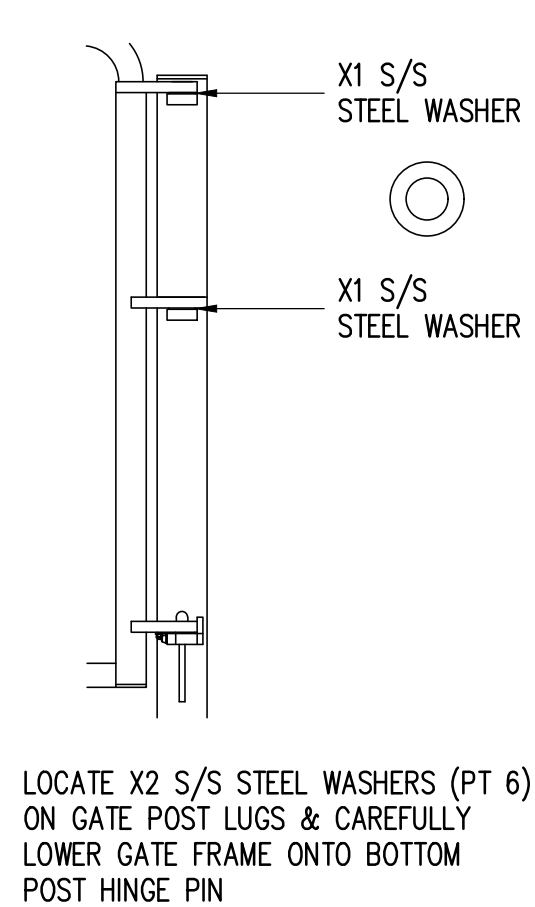
PRE ASSEMBLY



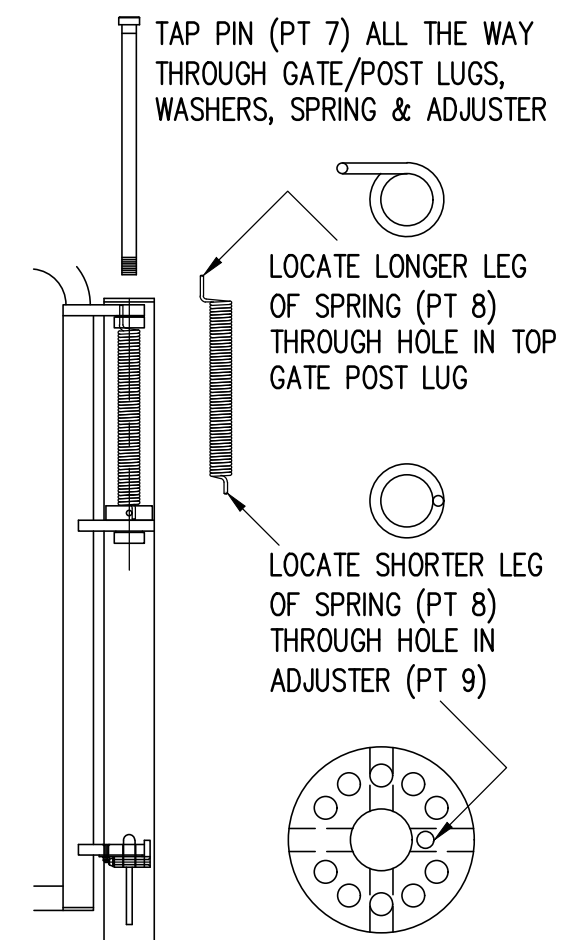
INSTALL PHASE 1



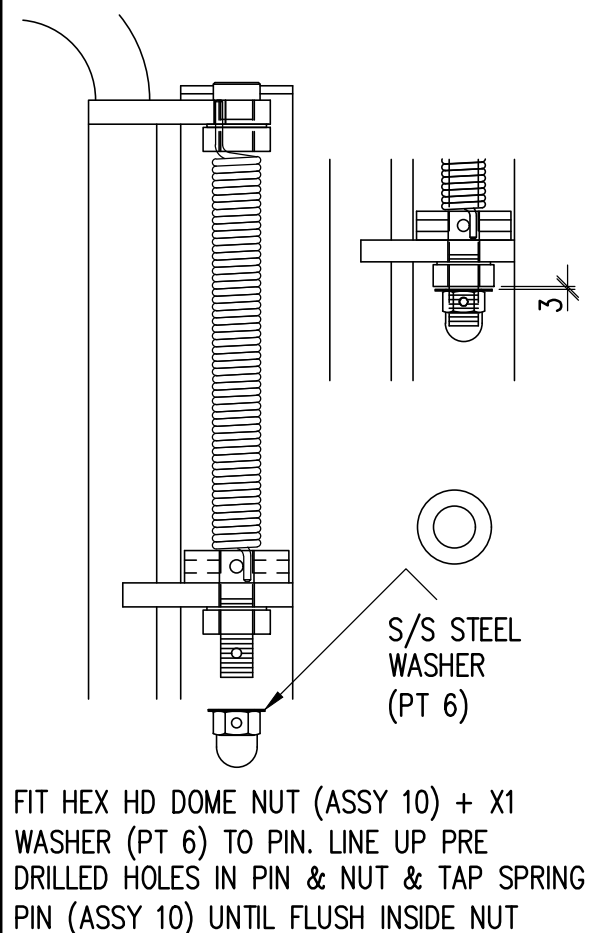
INSTALL PHASE 2



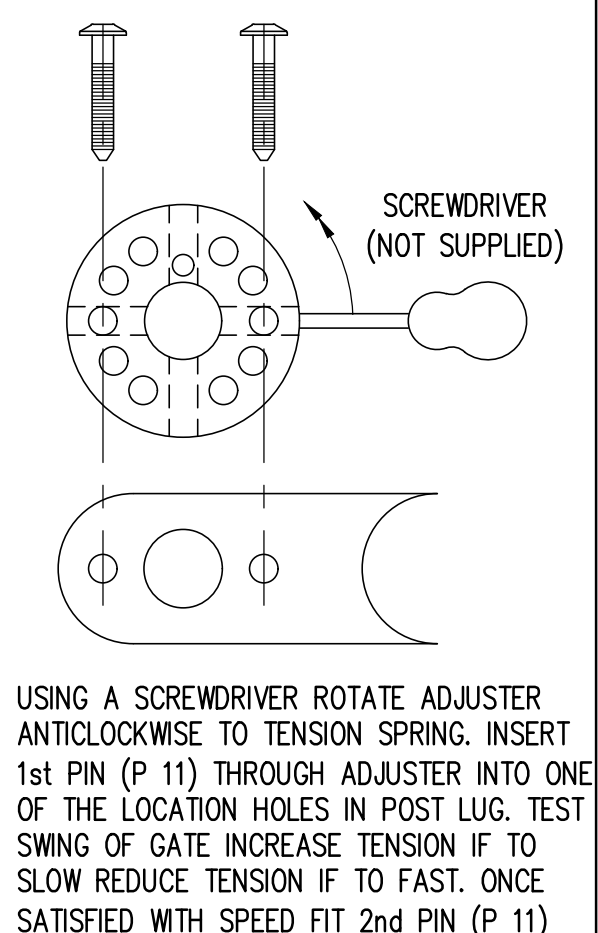
INSTALL PHASE 3



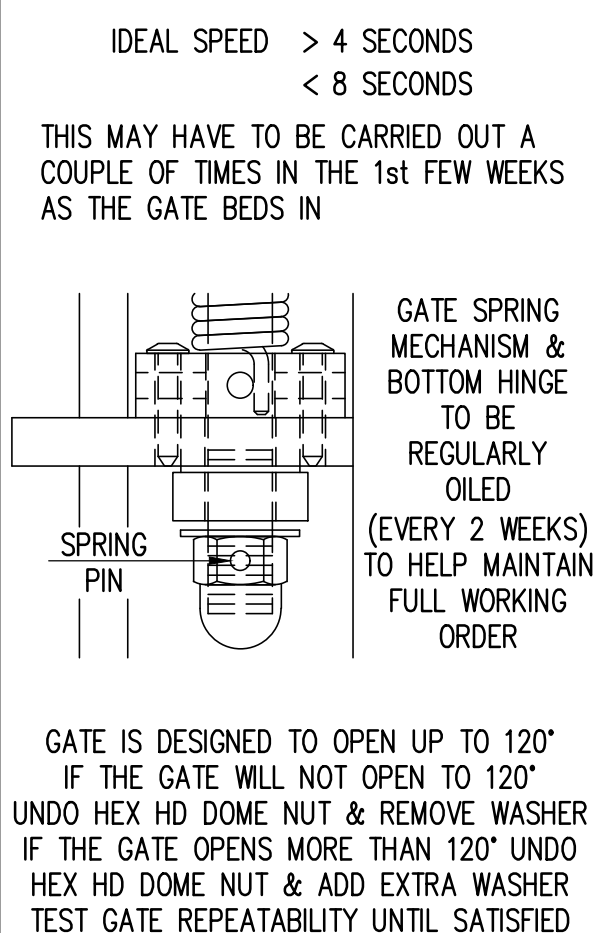
INSTALL PHASE 4



INSTALL PHASE 5



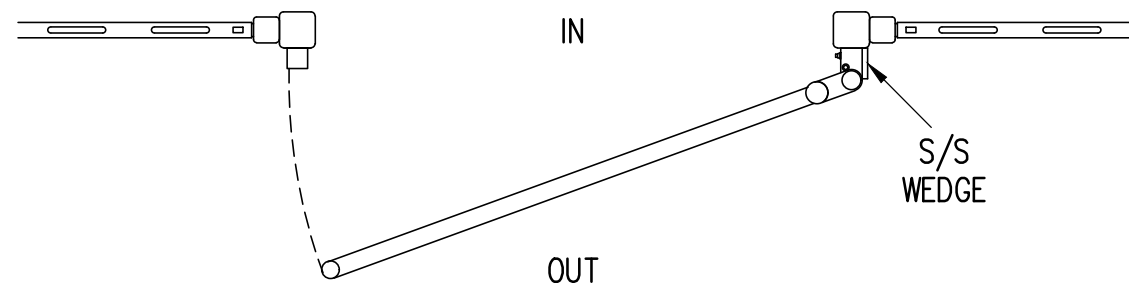
INSTALL PHASE 6



PARTS LIST

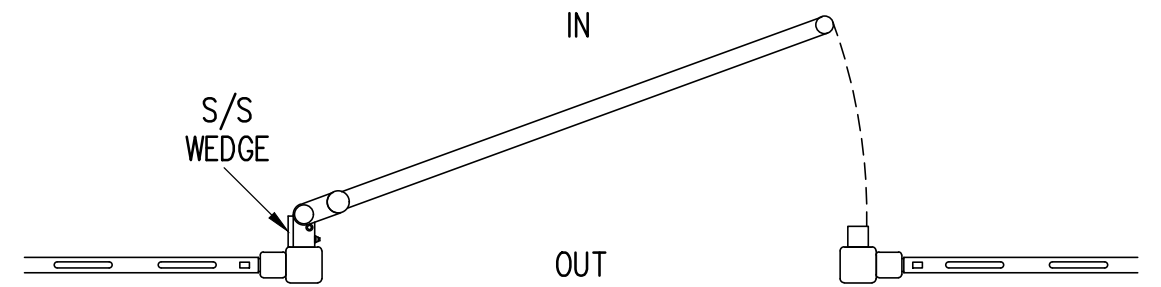
PART No.	IMAGE	DESCRIPTION	QTY
PT 1		PLASTIC INSERT CAP	ONE
PT 2		SPECIAL STAINLESS STEEL WASHER	ONE
ASSY 3		M6x25mm LG STAINLESS STEEL ALLEN HEAD CSK BOLT + FLAT WASHER + NYLOCK NUT	ONE
PT 4		STAINLESS STEEL WEDGE	ONE
ASSY 5		M6x60mm LG STAINLESS STEEL SOCKET DOME HEAD SCREW + FLAT WASHER + NYLOC NUT	2
PT 6		M20 STAINLESS STEEL WASHER	4
PT 7		M20x360mm LG CUP SQUARE SPRING PIN	ONE
PT 8		SPRING (X1 BLACK/ X1 RED - SEE SF-PSG3)	2
PT 9		ADJUSTER	ONE
ASSY 10		M20 DOME NUT C/W ø5x30mm LG SPRING PIN	ONE
PT 11		ADJUSTER LOCK PIN	2

IF NO PREFERENCE INDICATED THIS GATE SUPPLIED



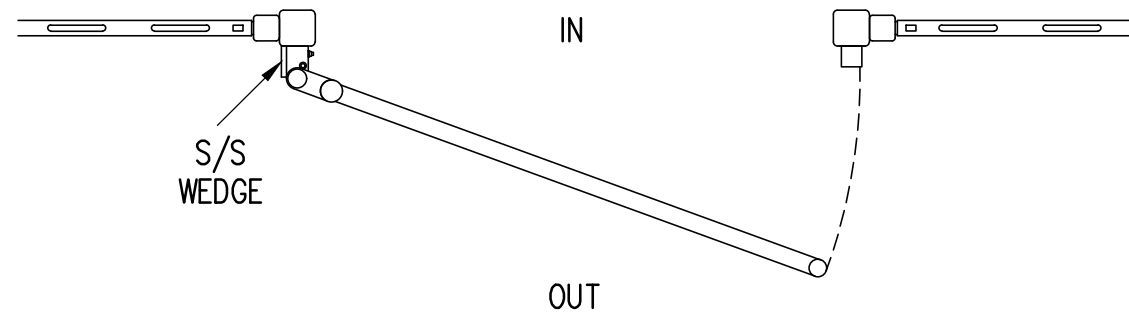
RED COLOUR SPRING

RIGHT HAND HANGING OPENING OUT



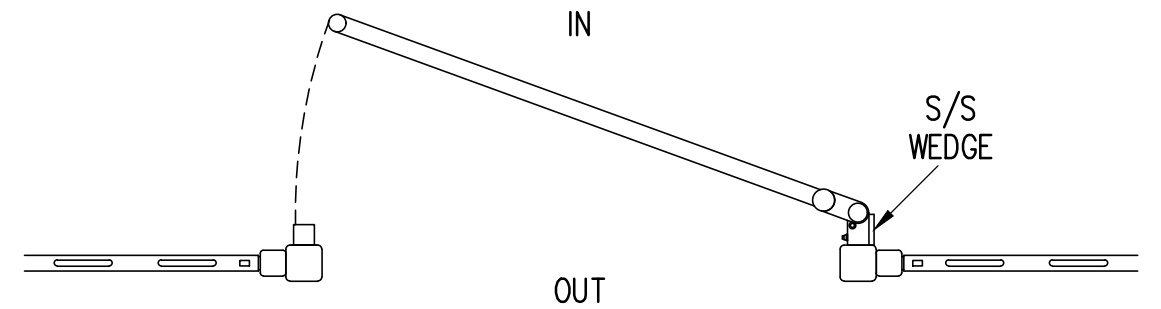
RED COLOUR SPRING

LEFT HAND HANGING OPENING IN



BLACK COLOUR SPRING

LEFT HAND HANGING OPENING OUT



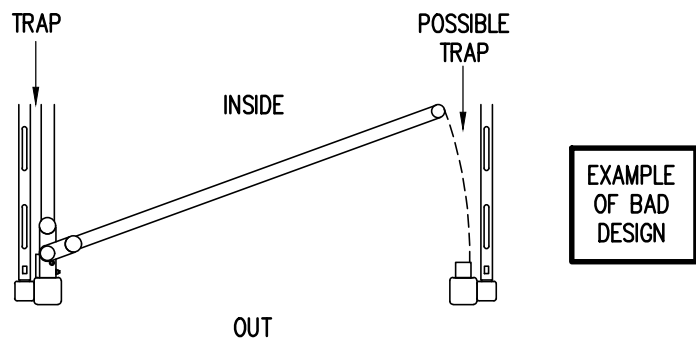
BLACK COLOUR SPRING

RIGHT HAND HANGING OPENING IN

AMENDMENTS			
Date	Signature	Notes	Revision
08/05/17	SB	1ST ISSUE	A

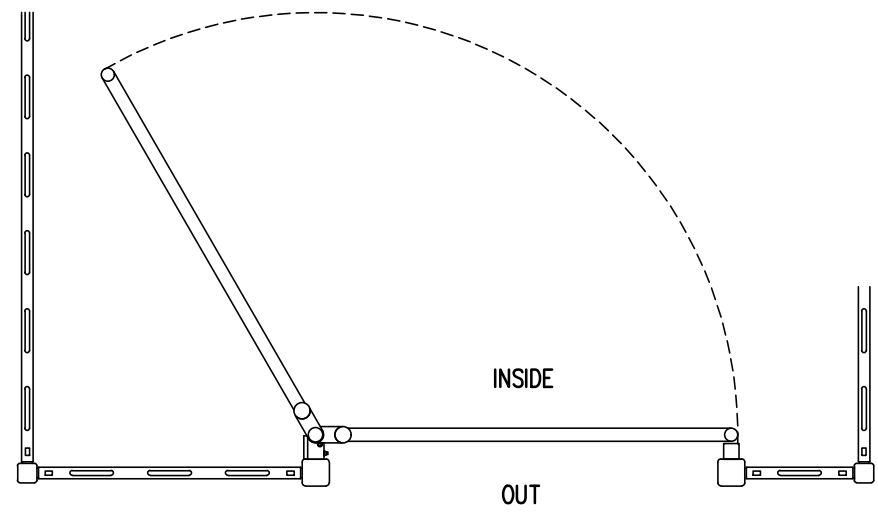
CUSTOMER		Scale	
CONTRACT PREMIER SAFE SPRING GATE		Date	MAY 2017
STEELWAY-FENSECURE		Drawn by	Date Approved
Steelway-Fensecure Ltd Queensgate Works, Bilston Road Wolverhampton West Midlands WV2 2NJ Tel: 01902 451733 Fax: 01902 452256		Drg. No. SF-PSG3	
Material Specifications:- Unless otherwise stated materials are to conform to the following specifications: Mild steel to BSEN10025 S275. Hot finished hollow sections to BSEN10210 S275J0H. Cold formed hollow sections to BSEN10219 S275J0H. Tube to BS1387 Stainless Steel to BS970:1, BS1449:2 BSEN10088;2,3 C;ASTM A269 90A Grade as specified. Aluminium to BS1470; BS1474. Grade 6082 T4/T6; 6063T4/T6		Revision	A
THIS DRAWING IS THE PROPERTY OF STEELWAY FENSECURE AND IS PROTECTED BY THE LAWS OF CONFIDENTIALITY AND COPYRIGHT. IT MUST NOT BE DISCLOSED TO ANY THIRD PARTY OR REPRODUCED IN ANY FORM, INCLUDING MANUFACTURE SHOWN THEREIN, WITHOUT THE PRIOR WRITTEN CONSENT OF STEELWAY FENSECURE.			

IF IN DOUBT ASK! DO NOT SCALE

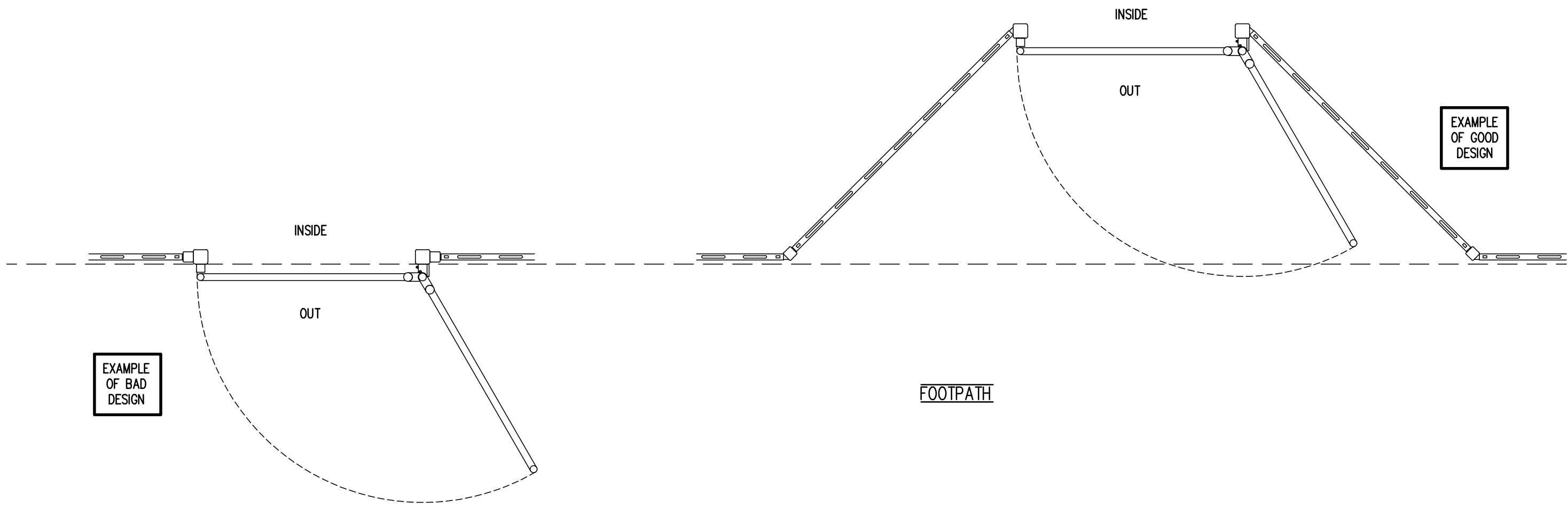


EXAMPLE OF BAD DESIGN

GATES SHOULD NOT BE FITTED ON CORNERS WHERE THE CLOSING OF THE GATE COULD CAUSE A TRAP AS SHOWN. SEE BELOW FOR POSSIBLE SOLUTION



EXAMPLE OF GOOD DESIGN



EXAMPLE OF GOOD DESIGN

EXAMPLE OF BAD DESIGN

GATES SHOULD ALWAYS OPEN OUT WHERE POSSIBLE.
 GATES SHOULD NOT OPEN OUT OVER PUBLIC FOOTPATHS UNLESS IT IS WIDE ENOUGH FOR PEDESTRIANS TO PASS SAFELY WHEN THE GATE IS IN THE OPEN POSITION.
 GATES WILL BE SUPPLIED AS RIGHT HAND HANGING OPENING OUT IF NO PREFERENCE REQUESTED.

CUSTOMER		Scale	
CONTRACT PREMIER SAFE SPRING GATE		Date	MAY 2017
STEELWAY-FENSECURE		Drawn by	Date Approved
		Drg. No. SF-PSG4	
Steelway-Fensecure Ltd Queensgate Works, Bilston Road Wolverhampton West Midlands WV2 2NJ Tel: 01902 451733 Fax: 01902 452256		Revision	A
Material Specifications:- Unless otherwise stated materials are to conform to the following specifications: Mild steel to BSEN10025 S275. Hot finished hollow sections to BSEN10210 S275J0H. Cold formed hollow sections to BSEN10219 S275J0H. Tube to BS1387 Stainless Steel to BS970:1, BS1449:2 BSEN10088;2,3 C;ASTM A269 90A Grade as specified. Aluminium to BS1470; BS1474. Grade 6082 T4/T6; 6063T4/T6		THIS DRAWING IS THE PROPERTY OF STEELWAY FENSECURE AND IS PROTECTED BY THE LAWS OF CONFIDENTIALITY AND COPYRIGHT. IT MUST NOT BE DISCLOSED TO ANY THIRD PARTY OR REPRODUCED IN ANY FORM, INCLUDING MANUFACTURE SHOWN THEREIN, WITHOUT THE PRIOR WRITTEN CONSENT OF STEELWAY FENSECURE.	

AMENDMENTS			
Date	Signature	Notes	Revision
08/05/17	SB	1st ISSUE	A



Product Data Sheet: Reference: F/05AA Issue 01 Date: 09/09/2016.

Inspection and Maintenance Instructions
Premier Safe, Spring Assisted, Self-Closing Gates (Fencing Products)

Routine and Operational Inspection and Maintenance Schedule.

When correctly installed and maintained, our self-closing gates will give a trouble free serviceable life. These gates can be frequently used, but unfortunately attract a high degree of abuse and vandalism. We recommend that these gates are inspected and maintained on a fortnightly basis.

Inspection and Maintenance Schedule.

- Oil spring with light oil. (WD40 Recommended)
- Check closing momentum (Slow and gentle closing action).
- Check all fixing bolts are secure.
- Check the spring for any breakage.
- Check that the stainless steel wedge stop is secure.
- Check the gate posts for free movement.
- Check that the rubber stop on the post is secure.
- Generally check the gate structure for deformation or weld failure due to vandalism.
- For installation guidance, please refer to Steelway Fensecure Product Data Sheet reference:
 - (F10) SF-PSG1 – Issue 1, Date: 09/09/2016
- For further advice please contact our technical / installation department on: 01902 490919.

STEELWAY Fensecure

Queensgate Works, Bilston Road, Wolverhampton, West Midlands WV2 2NJ

Tel: 01902 490919 | Fax: 01902 490929 | Email: sales@fensecure.co.uk | website: www.steelway.co.uk

Steelway Fensecure Ltd. Registered in England. Registration No. 3872973. Registered Office: Bilston Road, Wolverhampton, West Midlands WV2 2NJ

F E N C I N G , S P O R T S & A M E N I T Y P R O D U C T S